

5

4

3

2

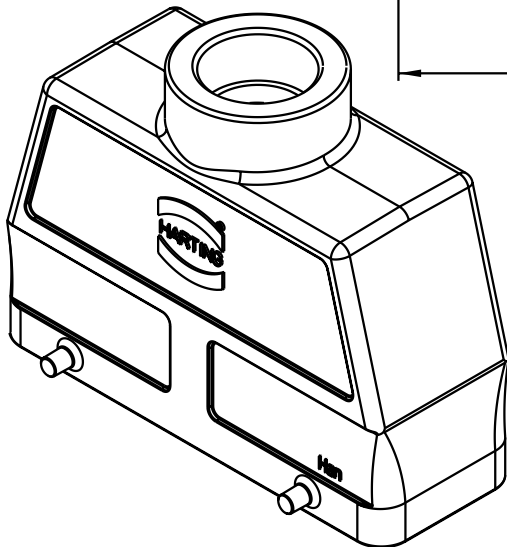
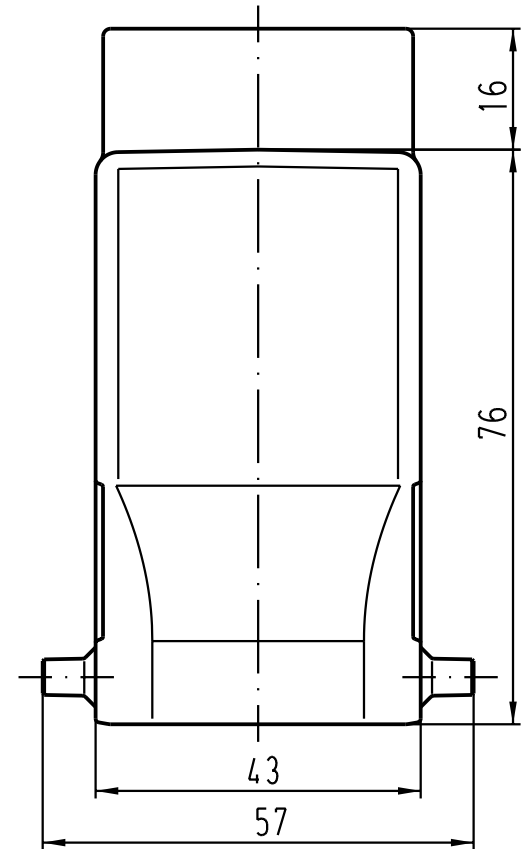
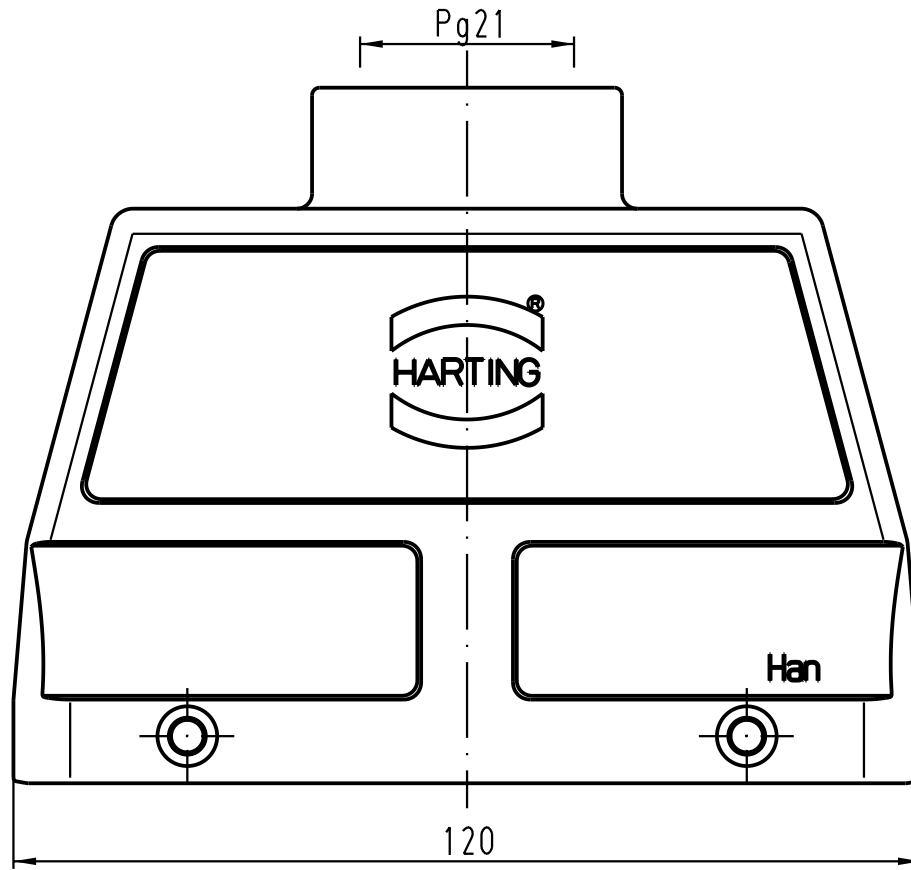
1

D

C

B

A



|   |      |   |          |             |  |  |
|---|------|---|----------|-------------|--|--|
| All Dimensions in mm<br>Original Size DIN A 4 |      | Techn. Character.                                   |          |             | Nicht tolerierte Masse/ Free size tolerances |  |
|   |      |   | Dat.     | Name        | Massestab/Scale<br><b>1:1</b>                | <b>Han 24B-gg-21</b><br>Tüllengehäuse/<br>hoods                |
|   |      | Detail.   | 22.10.01 | Gö          |  |  |
|   |      | Insp.   |          | KR          |  |  |
|   |      | Stand.  |          |             |  |  |
| 30140   |      | HARTING Electric GmbH & Co. KG<br>D-32339 Espelkamp |          |             |  | <b>TB 09 30 024 0420</b><br>Sub. TB 09 30 0.. 042. v. 03.02.93 |
| Mod.  | Dat. | Name  |          | Blatt/ page |  |  |